

OUTDOOR-PLAY

HANDBALL GOAL

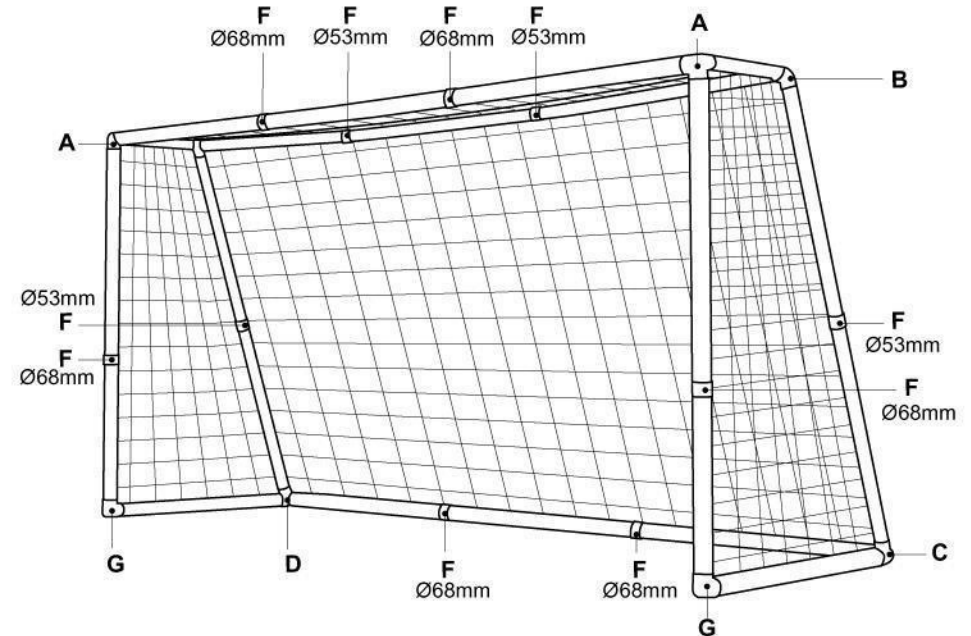
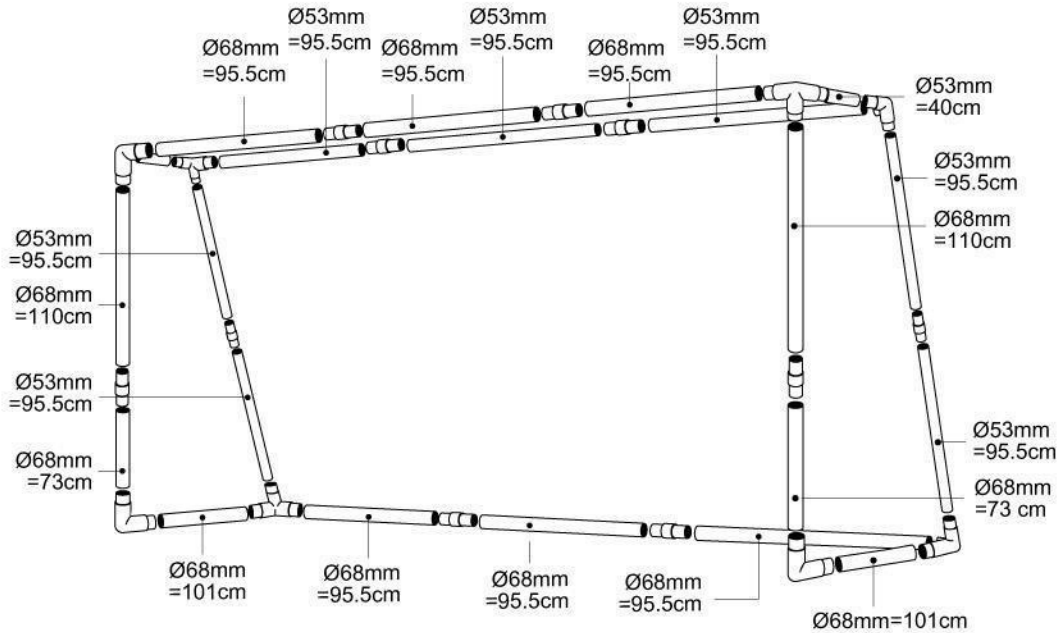
JC-6300TA2

COMPONENT CHECKLIST AND ASSEMBLY INSTRUCTIONS


INSTRUCTION

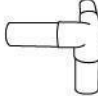
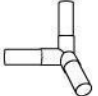
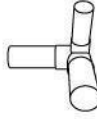
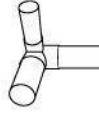
* Please Hang Net With 

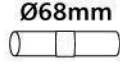


  
MADE IN TAIWAN



GOAL SIZE : L300 x H200 x D110 cm

COMP No.	Q'TY	COMP No.	Q'TY
	6 (Ø68 mm)	Ø68mm= 95.5 cm	6
	4 (Ø53 mm)	Ø68mm= 110 cm	2
	2	Ø68mm= 101 cm	2
	6	Ø68mm= 73 cm	2
	25	Ø53mm= 95.5 cm	7
	6	Ø53mm= 40 cm	2
NET	1		

 **(A) 2 pcs**
 **(B) 2 pcs**
 **(C) 1 pcs**
 **(D) 1 pcs**

 **Ø68mm** **(F) 6 pcs**
 **Ø53mm** **(F) 4 pcs**
 **(G) 2 pcs**

PLEASE NOTE THAT EACH JOINT HAS A SPECIFIC CODE.